

Fig. 1

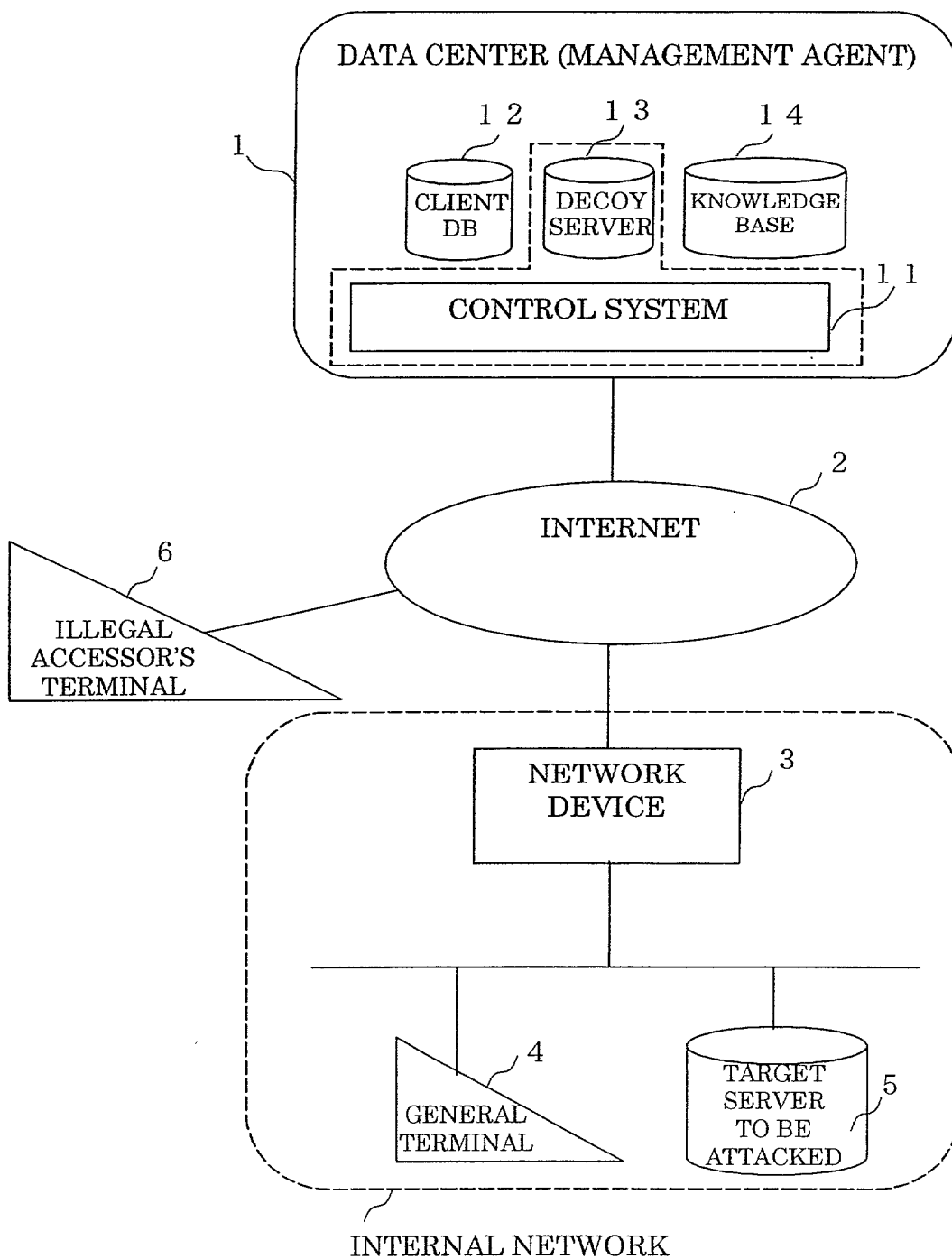


Fig. 2

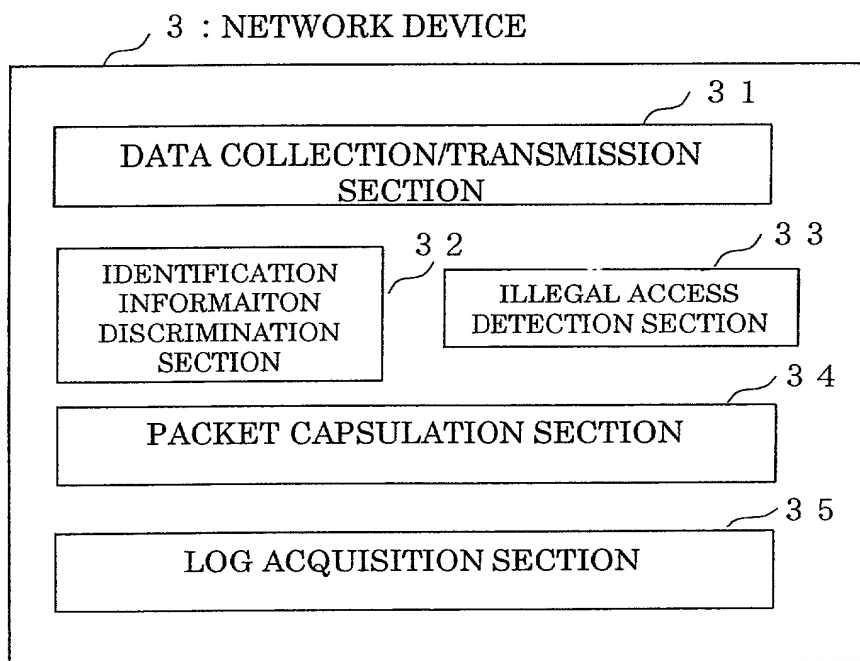
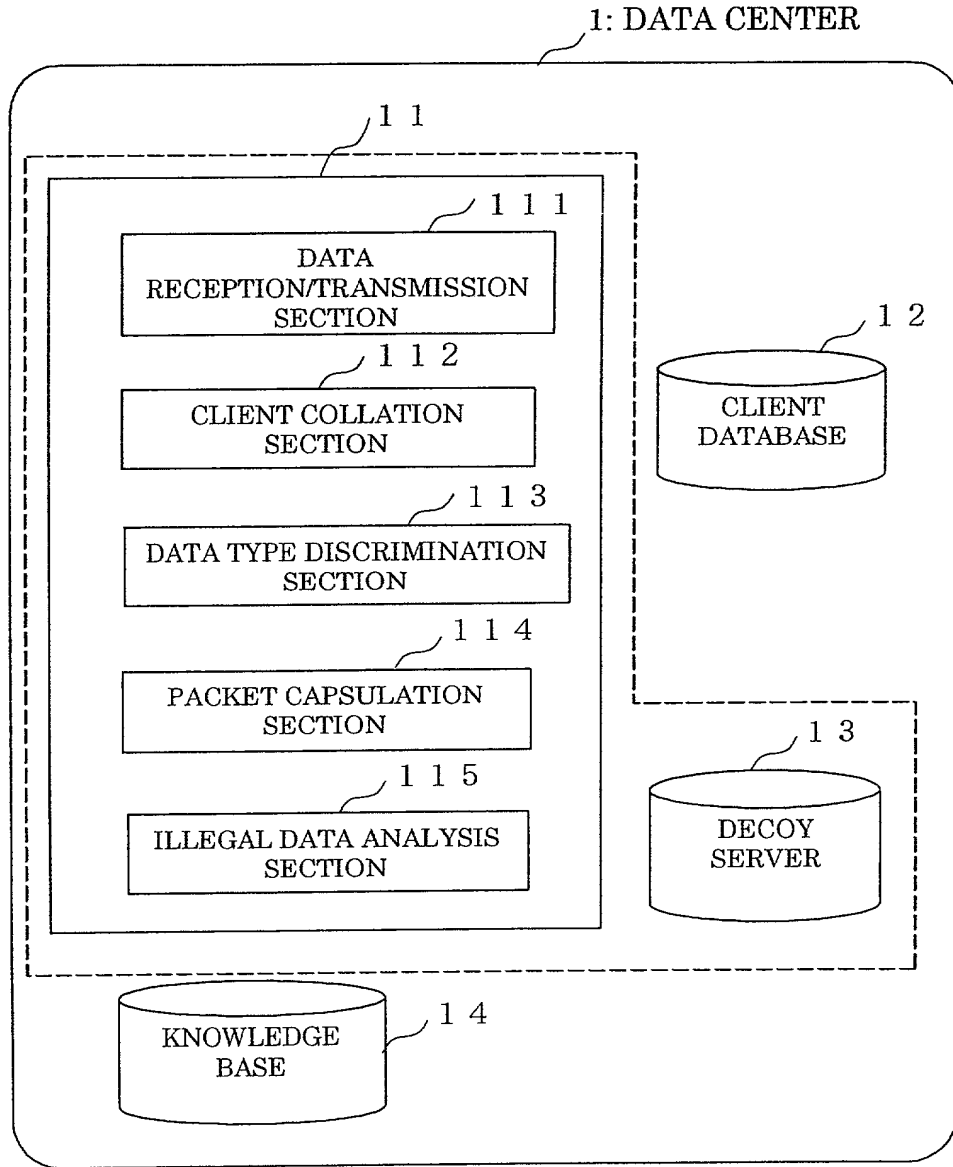


Fig. 3



Patent Application No. 2004-100000

Fig. 4

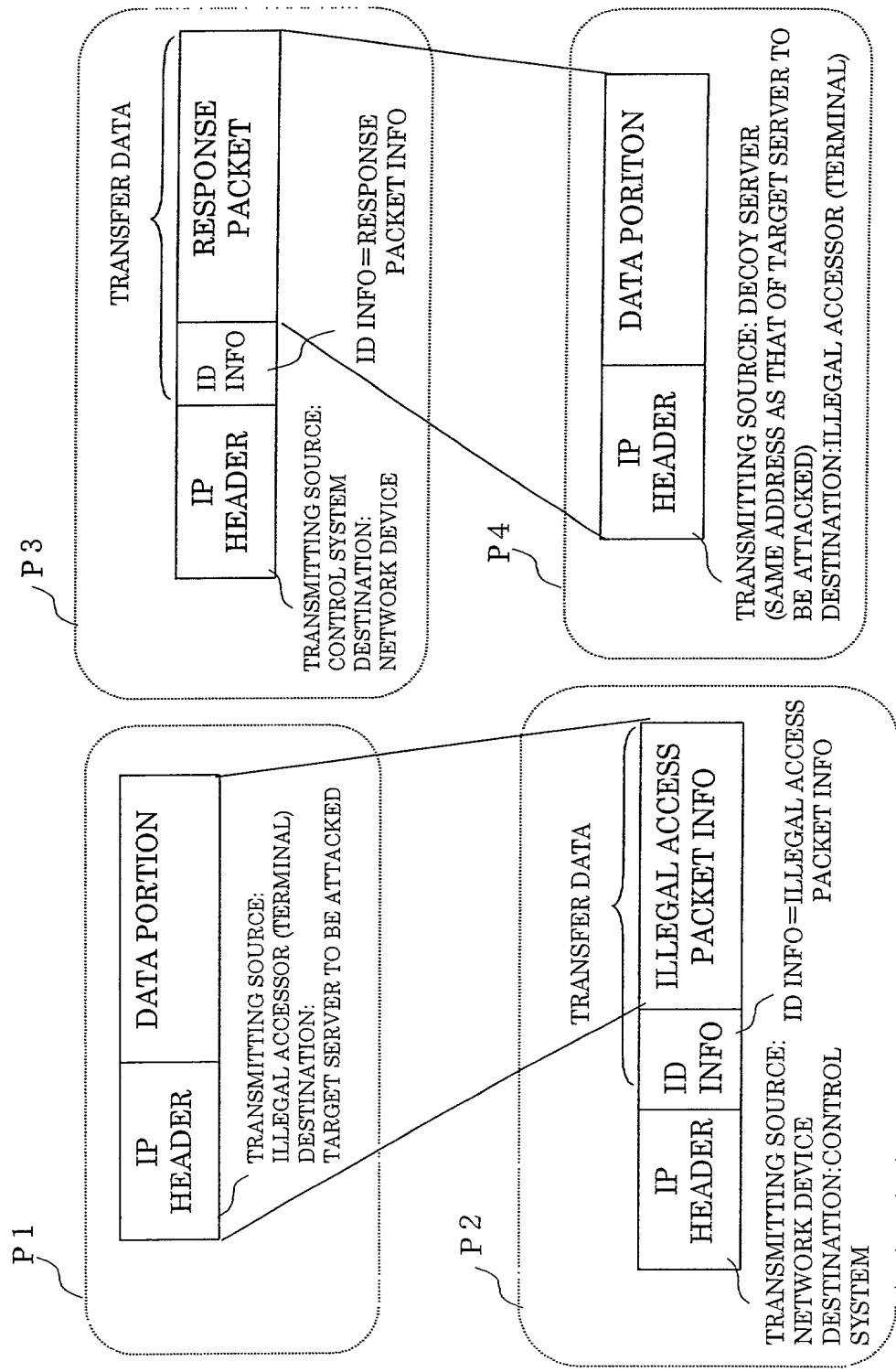


Fig. 5

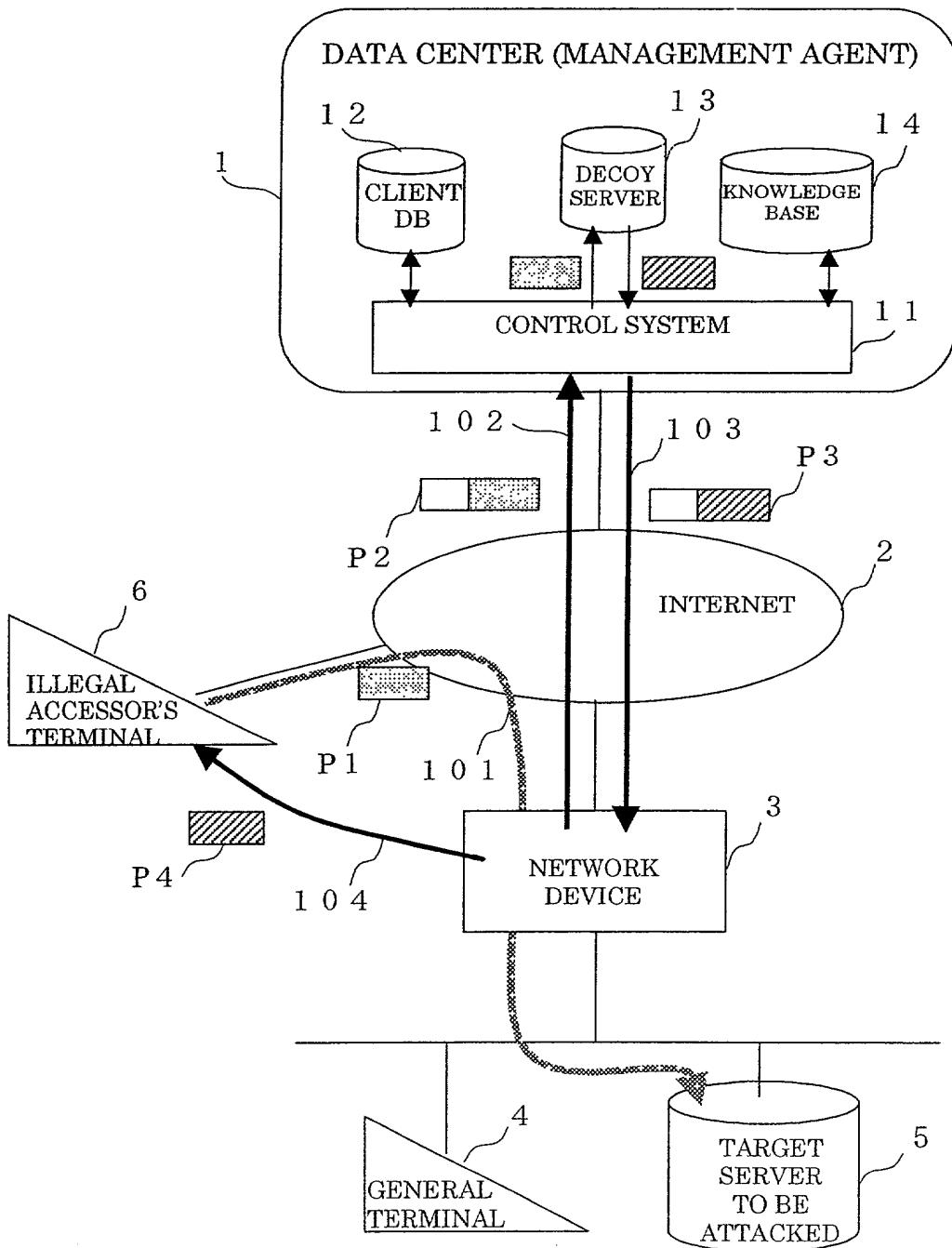
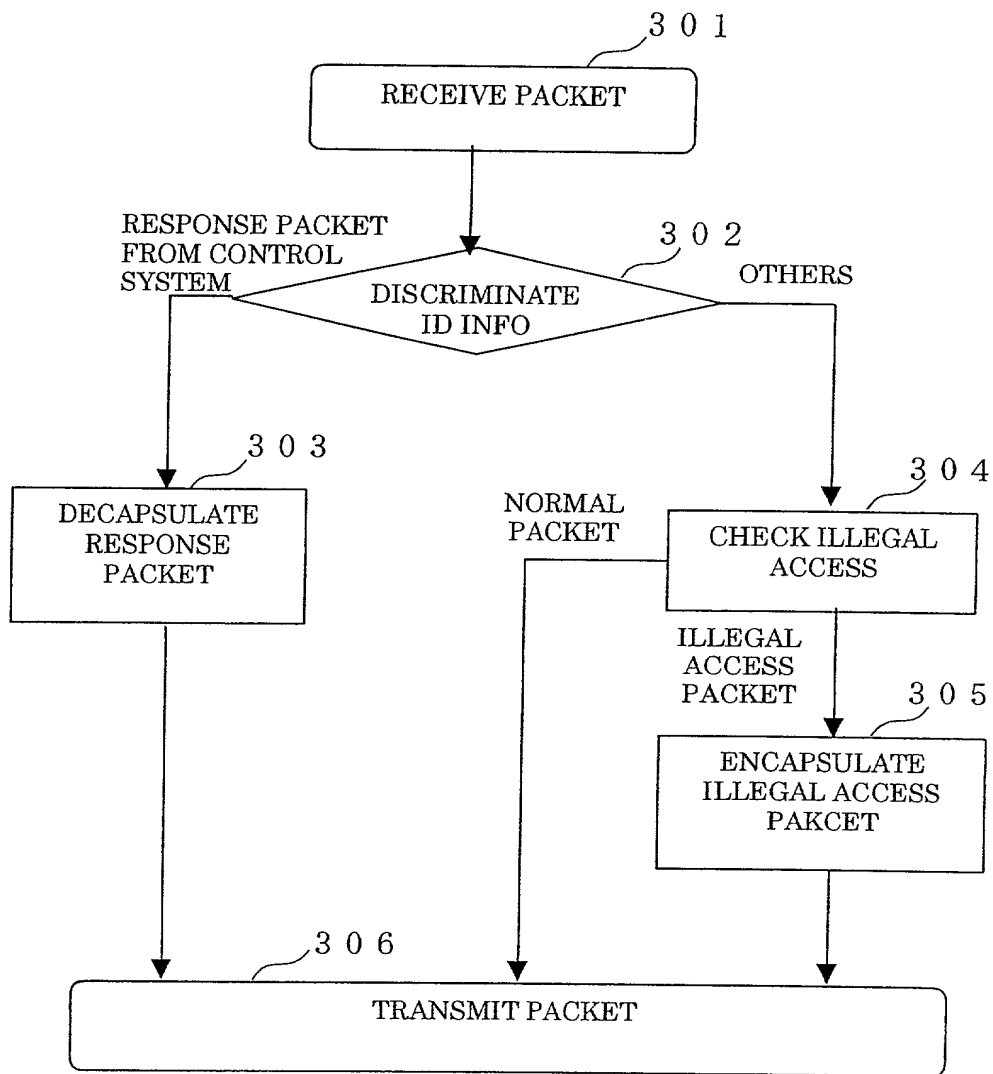


FIG. 5

Fig. 6



SECRET

Fig. 7

NETWORK DEVICE

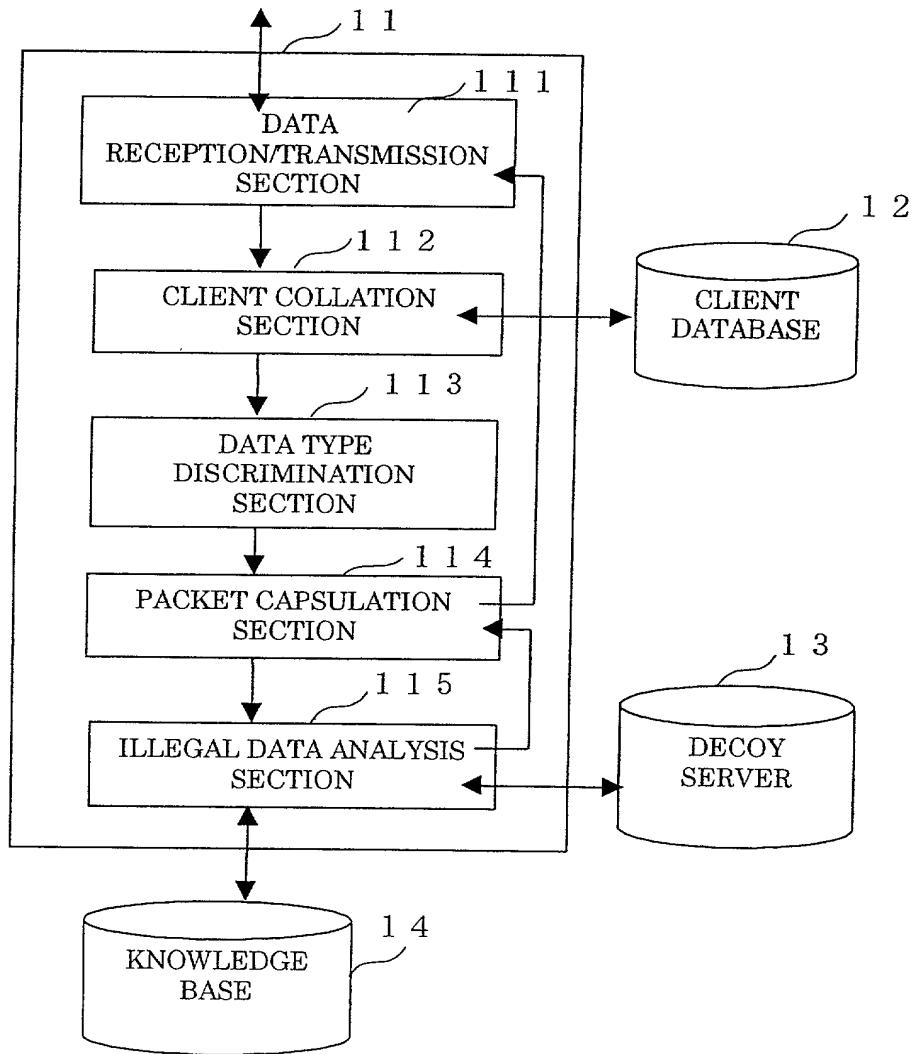


Fig. 8

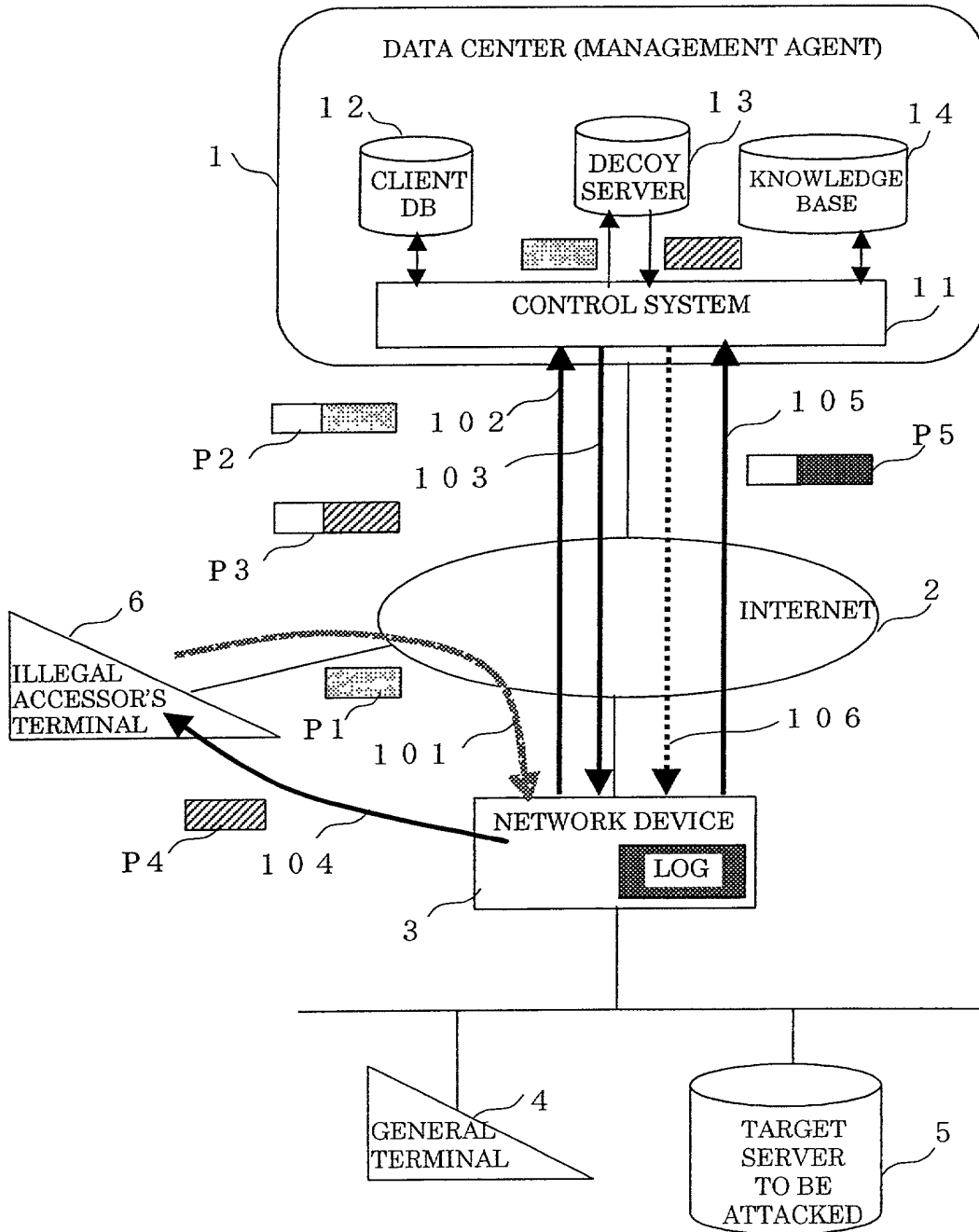




Fig. 9

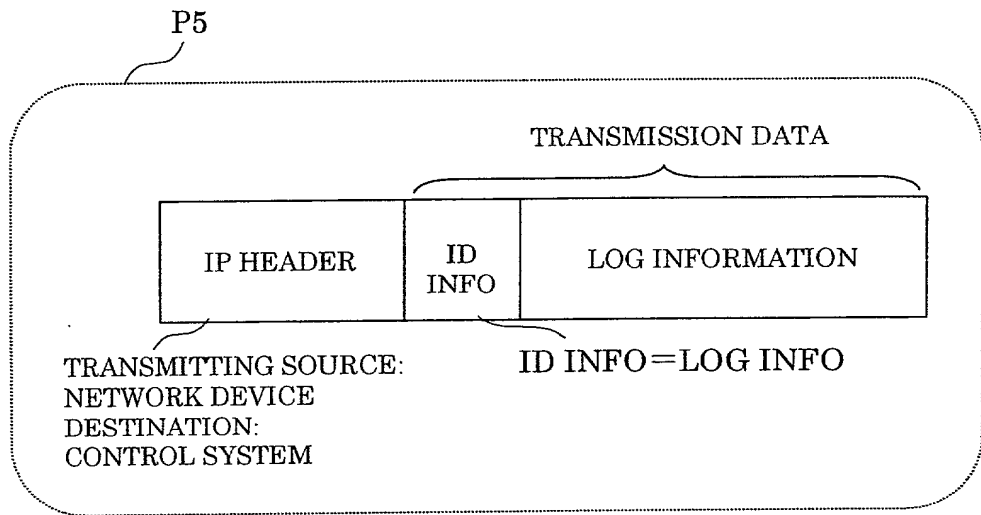
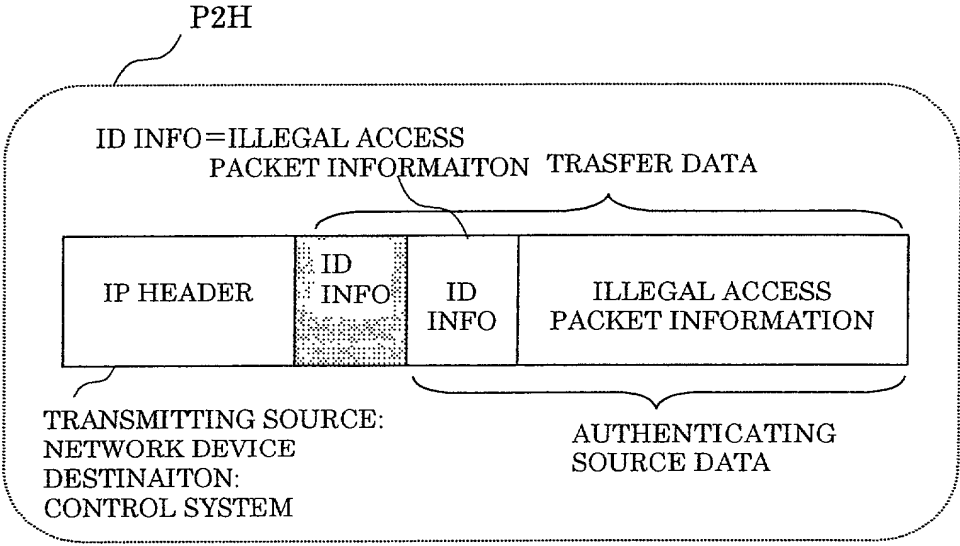


Fig. 10



WWW.CCTE.COM